

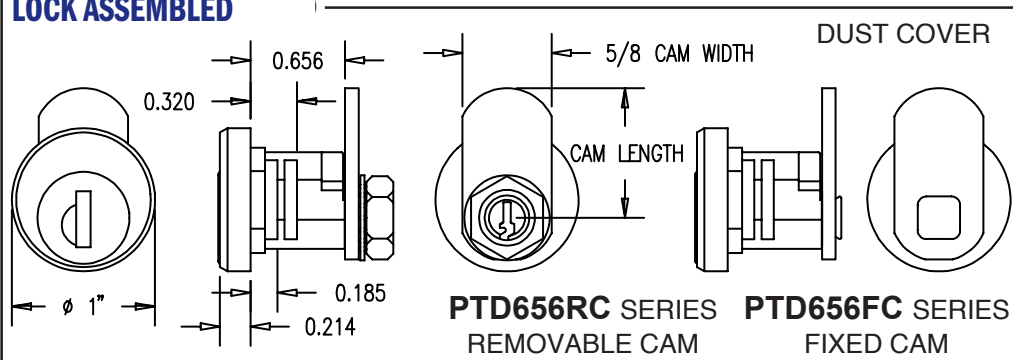
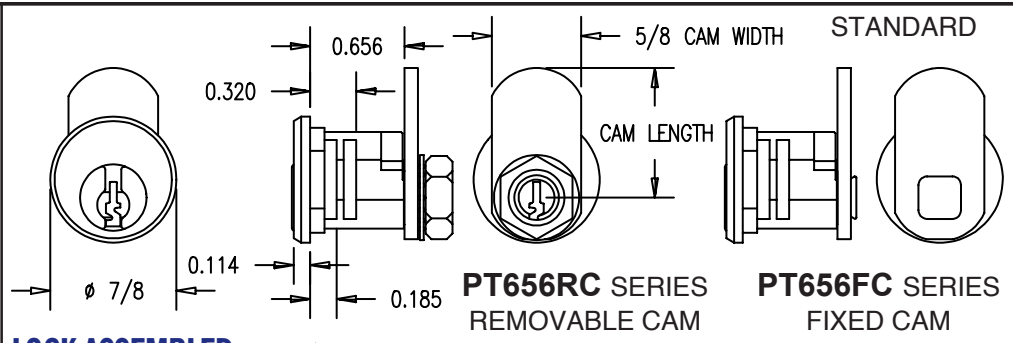
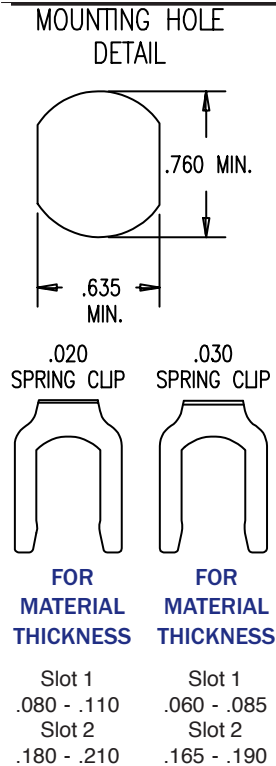
PIN TUMBLER LOCKS

MAIL BOX LOCKS - **PT656** SERIES
STANDARD & DUST COVER

REMOVABLE OR FIXED
CAM ASSEMBLY
SPRING CLIP MOUNTING
SIZES 11/32 & 7/16 STATIONARY CORE

Tolerances .XXX ± .005 .XX ± .010 Fractions ± 1/64

Metric: multiply decimal X 25.4 to obtain mm.



APPLICATION: For doors on mail boxes constructed by commercial manufacturers, and serviced by the U.S. and Canadian Postal Service.

KEYING:

- Keyed alike, keyed different, master keyed.
- 2 brass keys, rung
- 1000 available combinations

OPERATION:

- Key removable in locked position only
- Cam rotation 90° CW or CCW

STANDARD LOCK:

- Without dust cover

DUST COVER LOCK:

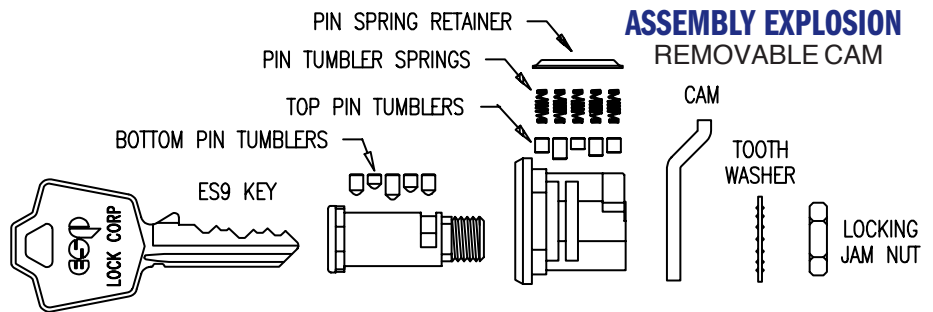
- Stainless steel scalp & shutter for outdoor use protecting the lock from weather conditions.

FINISH ON LOCK BODY:

- 0400 Copper Nickel
- 0101 Copper Nickel Chrome
- Cam: Zinc

OPTIONS:

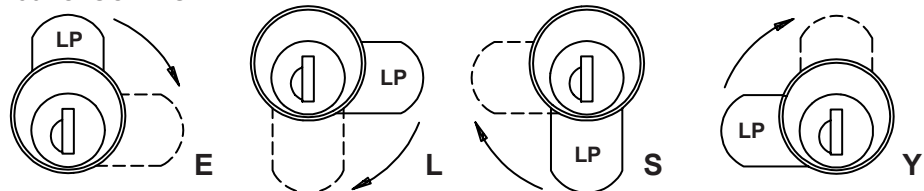
- 3 keys per lock
- Cam not assembled, shipped bulk
- Key code marked on cam
- PT812 Threaded Version (13/16")



ROTATIONS

- Flats on shell are parallel to keyway in locked position
- In all locked positions, key biting is up at 12 O'clock
- LP - Locked Position

90° CLOCKWISE



90° COUNTER CLOCKWISE

