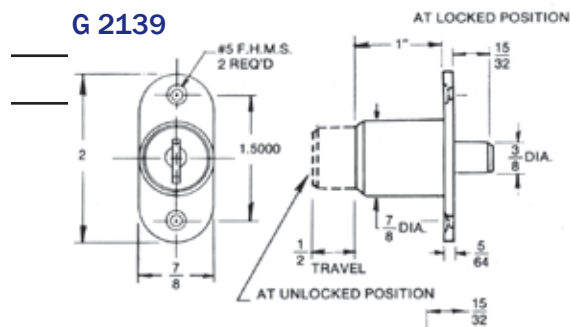


PLUNGER LOCKS



KEYING:

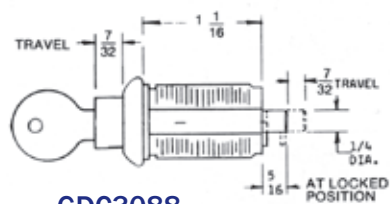
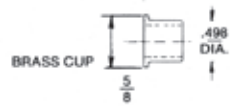
- Keyed alike, keyed different, master keyed
- 2 brass keys, ring

OPTIONS:

- Key number on face of coil

ACCESSORIES:

- See page 27-28



GDC3088

G 2139

Operation - This sliding door lock has a dead bolt which is locked by pushing the plunger in and is released by turning with a key. Available with sliding dust cover as GDC2139. Locking cylinder cannot be removed from housing without key. Supplied with brass cup as shown. See page 26 for finishes.

GDC 1062

Operation - This plunger lock is shown in the locked position. Turning a key 90 degrees allows plunger to be depressed for striking action. Spring loaded plunger returns to starting position when pressure is removed from plunger. Key is removable in locked or unlocked position. Additional weather and dust shield around plug head provides protection and a low friction sliding fit for plug movement. U.S. Patent No. 3910082. Finish is stainless steel scalps.

GDC3088

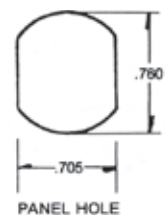


3/32 DIA X 3/8 LONG ROLL PIN

GDC2354



3/32 DIA X 3/4 LONG ROLL PIN



PANEL HOLE

