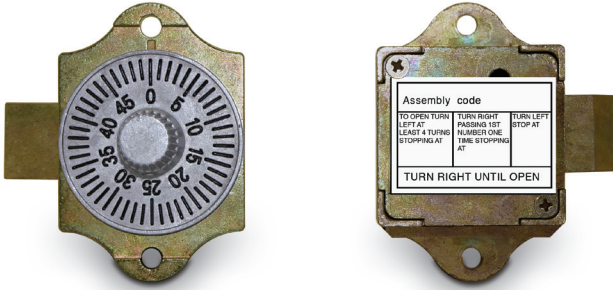
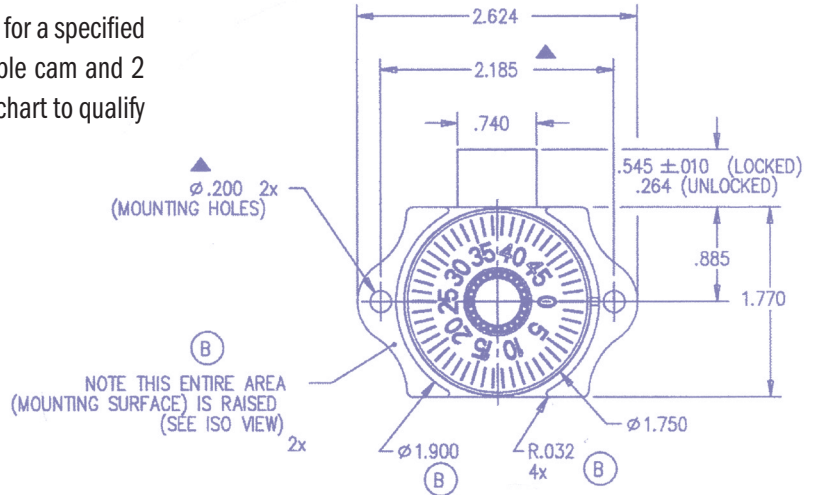


OEM Postal Replacement Mailbox Locks

ESP'S OEM postal replacement lock program offers specific locks for a specified box manufacturer. Each lock is equipped with 2 keys, a removable cam and 2 different grade mounting clips. See the enclosed cross reference chart to qualify your specific need. See Appendix below.



ESP/Hudson VRT-AF-Combo Lock



CAM NO.	REPLACES	PART NO.	NATIONAL LOCK EQUIVALENT	DIRECTION OF TURN TO OPEN	LOCKED CAM POSITION
XPS-02	Auth	PTR-656-02	C8713	90° CW	Left
XPS-03	Bommer	PTR-656-03	C8710	90° CCW	Left
XPS-04B	Cutler Federal	PTR-656-04B	C8725	90° CCW	Left
XPS-05	Florence	PTR-656-05A	C8715	90° CW	Up
XPS-20	Dura Steel 208B	PTR-656-20	C8720	90° CW	Down
XPS-21	Permabilt 201A	PTR-656-21	C8721	90° CCW	Left
XPS-22	Dura Steel 202C	PTR-656-22	C8722	90° CW	Down
XPS-23	Jensen General 205D	PTR-656-23	C8723	90° CCW	Left
XPS-24	Bommer Hook	PTR-656-24	C8724	90° CCW	Left
XPS-50	American Device	PTR-656-50	C8714	90° CCW	Left
XPS-56	Riopel, CMC	PTR-656-56	—	90° CW	Right
XPS-57	Riopel	PTR-656-57	—	90° CW	Right
XPS-58	Miami Carey	PTR-656-58	C8719	90° CCW	Up
—	CW Lock Only	PTR-656-RXXY	—	90° CW	—
—	CCW Lock Only	PTR-656-RXXZ	—	90° CCW	—

* Cams for these applications are standard in the PTR-656UN and PTR-656UN-HN

